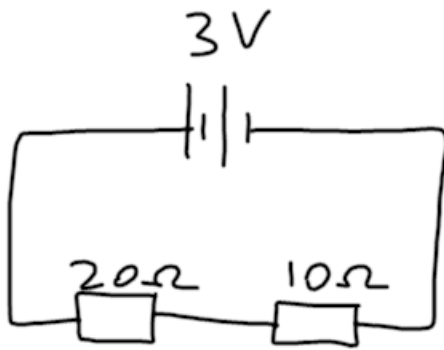
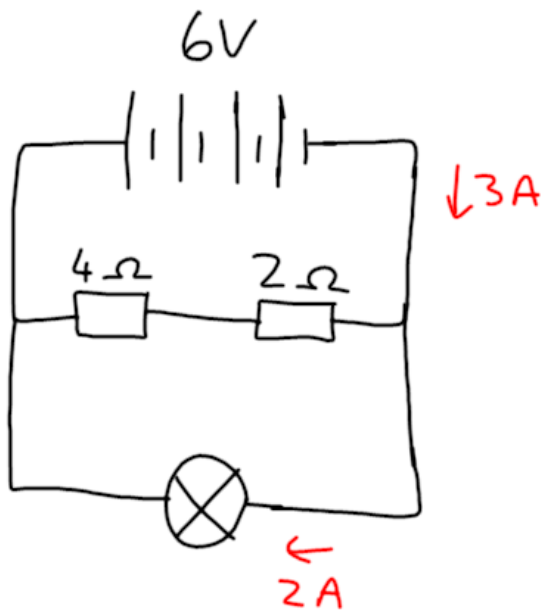


1.



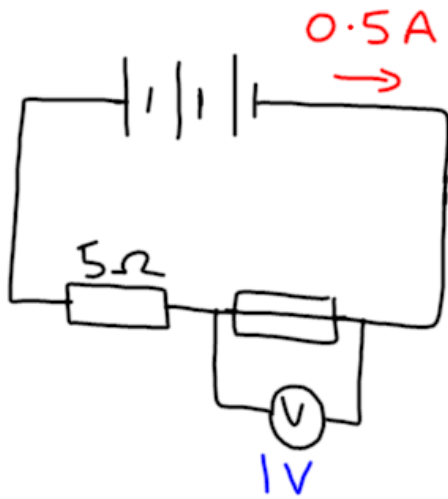
- a) Is this a series or parallel circuit?
- b) What is the current in the circuit?
- c) What is the voltage across the  $10\Omega$  resistor?
- d) What is the voltage across the  $20\Omega$  resistor?

2.



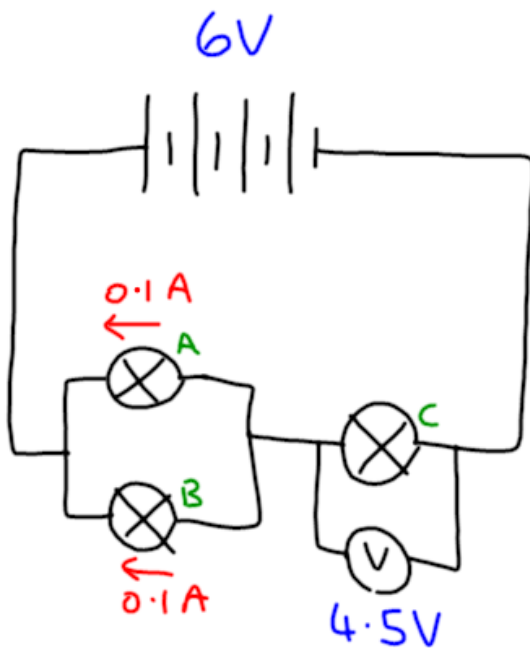
- a) What is the voltage across the bulb?
- b) What is the resistance of the bulb?
- c) What is the current through the  $2\Omega$  resistor?
- d) What is the voltage across the  $2\Omega$  resistor?
- e) What is the voltage across the  $4\Omega$  resistor?

3.



- What is the current through the fuse?
- What is the current through the resistor?
- What is the voltage across the  $5\Omega$  resistor?
- What is the resistance of the fuse?
- What is the voltage across the cells?

4.



- What is the current through bulb C?
- What is the resistance of bulb C?
- What is the voltage across bulb A?
- What is the voltage across bulb B?
- What is the resistance of bulb A?